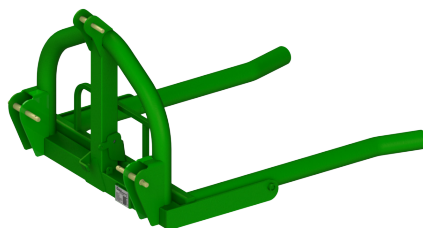
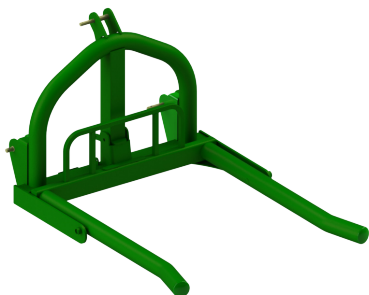


Tipping Bale Handler

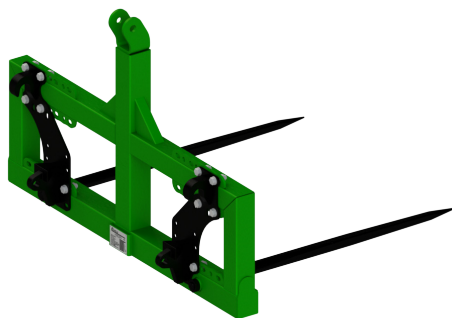
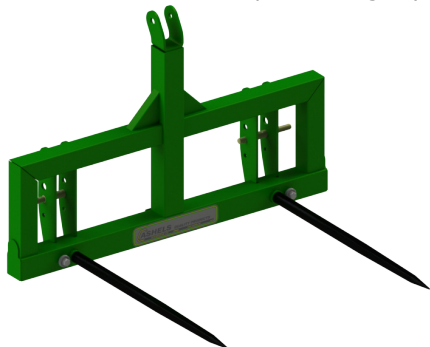
The **Tipping Bale Handler** is a time proven concept which was developed by **Cashels** over 35 years ago to assist local farmers who required a solution for transporting wrapped bales of silage. The design also incorporates a trip latch allowing the operator to tip wrapped bales of silage on their ends without causing damage to the bale film. Developed for use on the three point linkage of tractors.



Length (mm)	Width (mm)	Height (mm)	Linkage	Load Capacity	Net Weight (Kg)	Tractor (HP)
1535	1155	870	CAT 1&2	1 Bale/1000KG	110	60+

Bale Spike

The **Bale Spike** from **Cashels** is a very affordable option for transporting unwrapped bales from the field to the wrapping area. The **Bale Spike** is also used for handling/ transporting round and square bales of hay and straw from the field and during the feeding season. Suitable for use on three point linkage systems and front loaders of tractors.



Length (mm)	Width (mm)	Height (mm)	Linkage	Load Capacity	Net Weight (kg)	Tractor (HP)
1250	1310	890	CAT 1 & 2	1 Bale/1000kg	100	60+