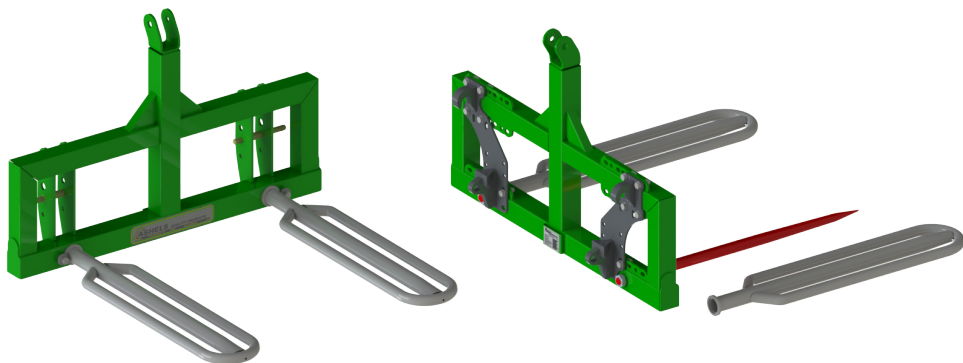


Ducks Foot Bale Handler

The **Cashels Ducks Foot Bale Handler** is suitable for transporting both round and square bales of straw, haylage and silage. The Ducks Foot Bale Handler was originally designed by Cashels over 25 years ago for handling round, wrapped silage bales. This time-proven design concept with its uniquely shaped, galvanised 'Ducks Foot' paddles, which rotate on CAT 2 stone fork tines, can handle sagged or misshapen silage bales without causing damage to the bale film.

The Ducks Foot concept also allows the user to stand round bales on their end at the storage area. This is achieved by simply dropping the bale handler to the ground, driving forward approximately $\frac{3}{4}$ of the bale length and then raising the lift arms. As the lift arms are raised, the paddles rotate and the bale will stand on its end without any damage to the bale film.

The galvanised paddles can easily be removed, allowing the unit to be used for spiking round bales during the winter and also for transporting square bales of straw and haylage. An optional bale extension can be easily fitted when transporting two or more square bales.



Key Features:

- Designed for handling sagged or misshapen wrapped bales
- CAT 2 stone fork tines for spiking round and square bales
- Hot dip galvanised paddles for long life
- Rotating paddles to allow bales to be tipped on their end
- 3-Point Linkage as standard, various linkage options available
- Bolt-on bale extension (optional)

Length (mm)	Width (mm)	Height (mm)	Linkage	Load Capacity	Net Weight (kg)	Tractor (HP)
1250	1310	890	CAT 1 & 2	1 Bale/ 1000kg	100	60+