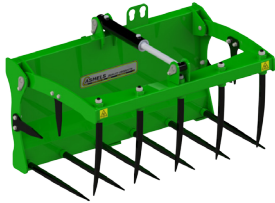


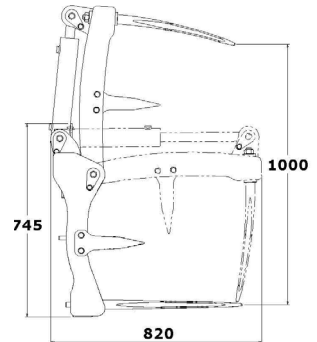
## Hydraulic Fork/Bucket Grabs (Single Ram Models)

The single-ram models of Cashels Hydraulic Fork/Bucket Grabs are designed for use on skid-steer loaders and mini-wheel loaders.



### Features:

- Unique design for optimum strength & durability
- CAT 1 stone fork tines & bushings
- Straight tine lengths - 680mm
- Curved tine lengths - 600mm
- Tine Centres - Straight Tines: 230mm, Curved Tines: 300mm (Approx.)
- Various linkage options available

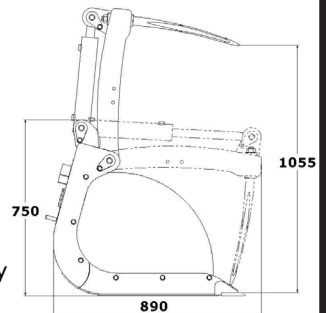


Model	Length (mm)	Width (mm)	Height (mm)	Opening Height (mm)	Load Capacity (m <sup>3</sup> )	Net Weight (kg)	Straight Tines/Curved Tines
FG 1000	820	1000	745	1000	0.35 m <sup>3</sup>	180	5 + 4
FG 1250	820	1250	745	1000	0.45 m <sup>3</sup>	220	6 + 5



### Features:

- Unique design for optimum strength & durability
- CAT 1 stone fork tines & bushings
- Hardened cutting edge fitted to bucket section
- Removable sides on bucket section for increased versatility
- Curved tine lengths - 600mm
- Tine Centres - Curved Tines: 300mm (Approx.)
- Various linkage options available



Model	Length (mm)	Width (mm)	Height (mm)	Opening Height (mm)	Load Capacity (m <sup>3</sup> )	Net Weight (kg)	Curved Tines
BG 1000	890	1000	750	1055	0.35 m <sup>3</sup>	205	4
BG 1250	890	1250	750	1055	0.45 m <sup>3</sup>	230	5